

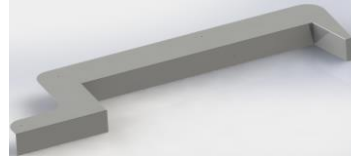
# FORD TRANSIT SIDE STEP STEEL SILL INSTALLATION INSTRUCTIONS

## PARTS:

1. Transit Floor

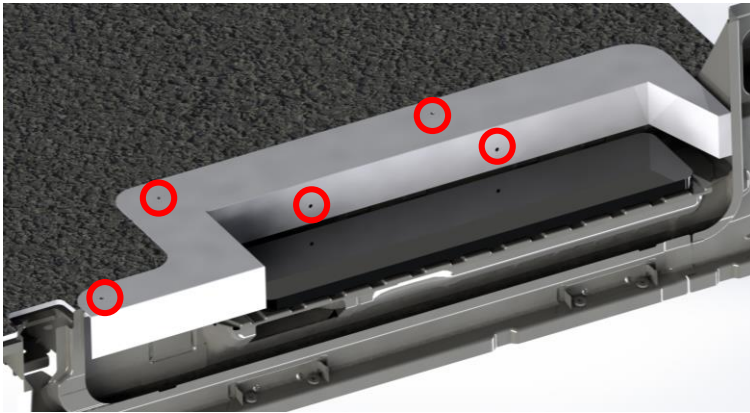
2. Side step steel sill

3. Side step push-in rivets



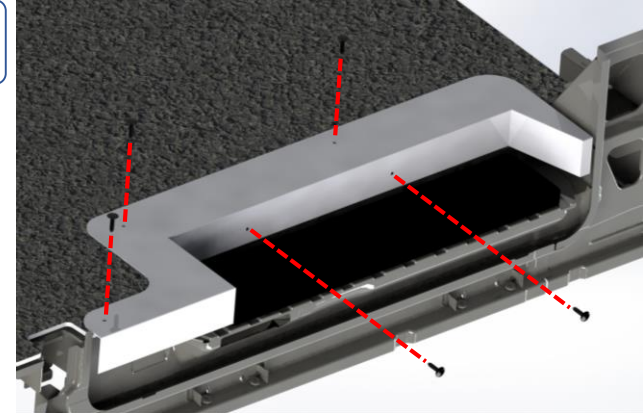
## STEPS:

1



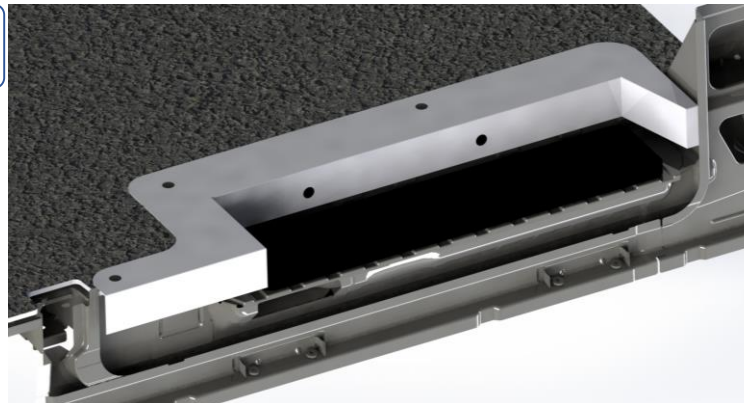
*"After placing the floor in place along with the steel sill above it, mark and drill holes of 0.25 inches at the five locations highlighted in red."*

2



*"Insert the five push-in rivets in the five holes drilled"*

3



*"Final view of the installed side steel sill"*

**NOTE:** The OEM plastic trim at the side step can be removed or left in the van

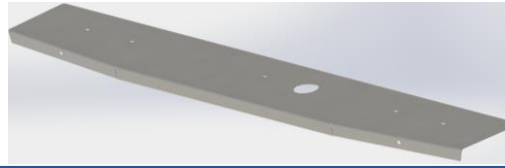
# FORD TRANSIT REAR STEP STEEL SILL INSTALLATION INSTRUCTIONS

## PARTS:

1. Transit Floor

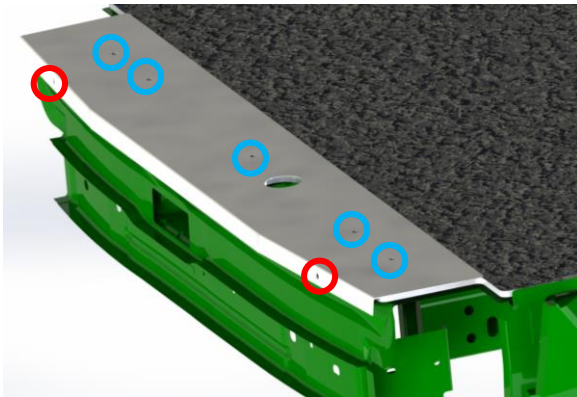
2. Rear step steel sill

3. Side step push-in rivets

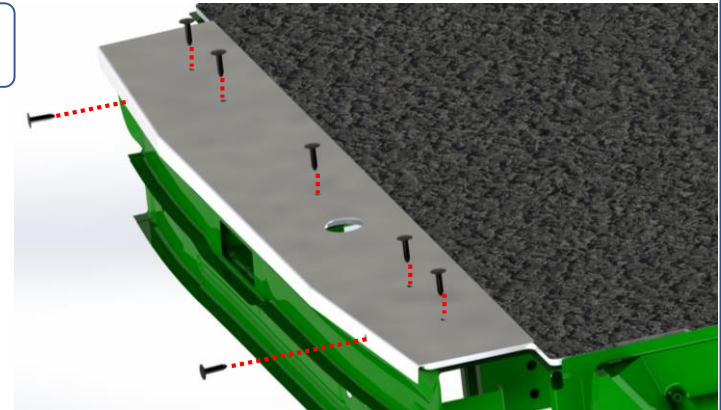


## STEPS:

1



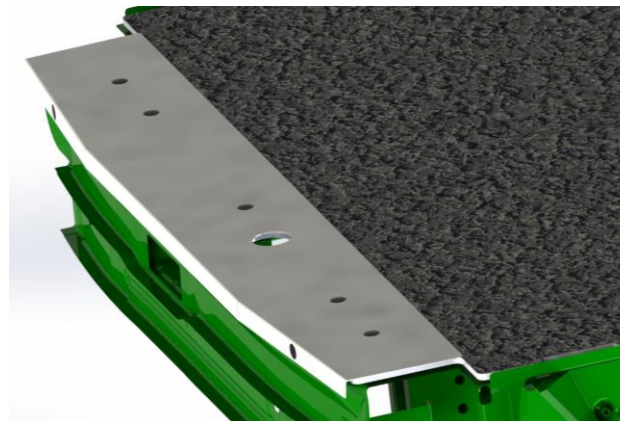
2



*"After placing the floor in place along with the steel sill above it, mark and drill holes of 0.25 inches at the five/seven locations highlighted."  
(Please refer to the note below)*

*"Insert push-in rivets in the holes drilled"*

3



*"Final view of the installed rear steel sill"*

**NOTE:** In step 1, the rear two holes (highlighted in red), are to be used only when using a rubber mat floor

# Location of Spacer Foam Ford Transit Cargo Vans

Towards front of the vehicle  
→

